

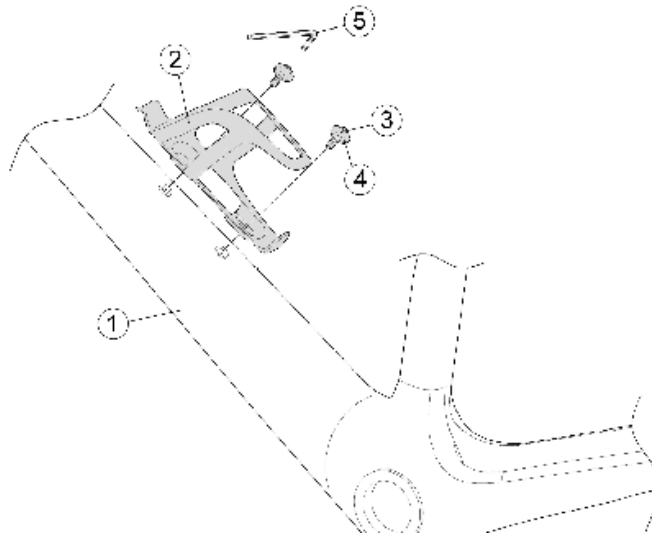


INSTALLATION GUIDE

Williams Water Bottle Cage

Please read the following instructions. Williams recommends that the bottle cage be installed using a torque wrench, by a qualified mechanic.

Please read the following Warnings. Because the failure to follow any warning may result in damage to the bottle cage not covered by warranty, damage to the bicycle; or cause an accident resulting in serious personal injury or death, this phrase may not be repeated in connection with each warning.



The Williams Bottle Cage requires bottle cage mounting rivets in the standard location in the frame. Do not attempt to modify the bottle cage to fit in other applications.

Remove bolts (3): Loosen the bottle cage bolts from the frame. Ensure the threads of the mounting rivets are clean of debris, paint, and metal chips.

Line-up the Bottle Cage (2): Place your bottle cage on the frame with mounting holes lined up with the mounting rivets on the frame.

Install bolts (3): Put a light layer of grease on the bottle cage bolt threads. While holding the bottle cage in proper position, hand tighten the bolts into the mounting rivets. Be careful not to cross-thread the bottle cage bolts.

Do not Tighten the bottle cage bolt (3) without washer (4). Doing so can avoid damage the bottle cage.

Tighten. Tighten the bolts to maximum 0.94-1.23 kgf.cm / 0.09-0.12 Nm / 0.81-1.06 in.lbs torque with 4mm Allen Wrench (5).

Over tightening the bottle cage bolts can cause the carbon bottle cage to crack, which is not covered under warranty.

Note: The Williams bottle cage holds a standard size water bottle: 7.3cm (2.875") in diameter and with an indentation 5" from the bottom of the water bottle to engage and secure the bottle cage while riding.